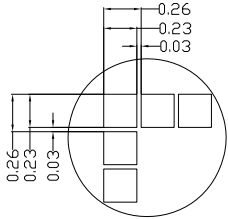
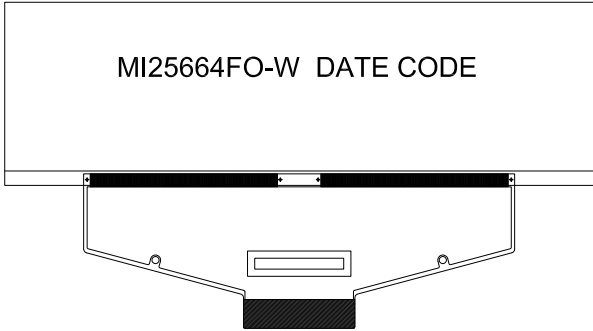
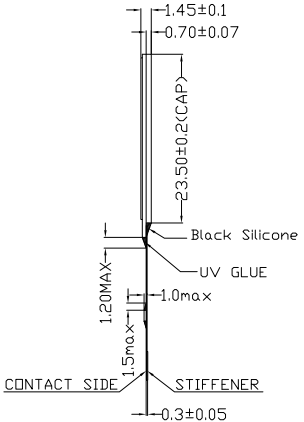
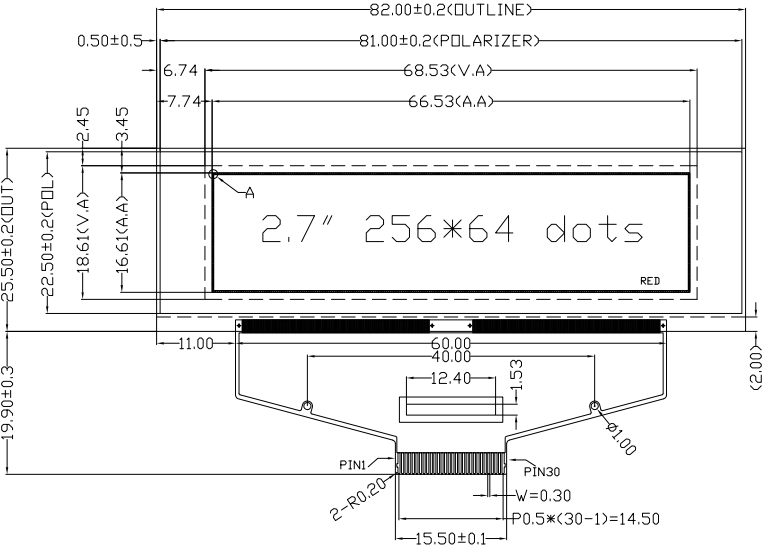


PIN DESCRIPTION


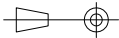
1	NC	16	BS0
2	VSS	17	BS1
3	VCC	18	DC#
4	VCOMH	19	CS#
5	VLSS	20	RES#
6	D7	21	FR
7	D6	22	IREF
8	D5	23	NC
9	D4	24	VDDIO
10	D3	25	VDD
11	D2	26	VCI
12	D1	27	VSL
13	D0	28	VLSS
14	E	29	VCC
15	R/W#	30	NC



DETAIL A  
SCALE 20X

- NOTES:
1. OPERATING TEMP: -30°C TO 80°C
  2. STORAGE TEMP: -40°C TO 85°C
  3. VIEWING DIRECTION: ALL
  4. OLED DRIVE IC: SSD1322UR1
  5. DISPLAY COLOR: WHITE
  6. UNSPECIFIED TOLERANCES: ±0.2mm.
  7. ( ) MEANS: DIMENSION FOR REFERENCE
  8. THE PROTECTIVE FILM ON FRONT SIDE OF OLED MUST BE REMOVED BEFORE ASSEMBLY BY CUSTOMER (客户在装机时, 自己必须撕掉保护膜)

01	FIRST ISSUE	2016.03.28
VER.	REVISED DESCRIPTION	DATE

 <b>MULTI-INNO TECHNOLOGY CO.,LTD.</b>			
DRAWN BY:	CAROL 2016.03.28	SCALE : 1/1	MODULE P/N:
CHECKED BY:		UNIT:	MI25664FO-W
APPROVED BY:		mm	DESCRIPTION:
VERSION NO:	01		OLED MODULE